

RAINBOW

RAINBOW

105

RAINBOW

In Greek mythology, the rainbow was considered to be a path made by a messenger (Iris) between Earth and Heaven. From Irish mythology, the Irish leprechaun's secret hiding place for his pot of gold is usually said to be at the end of the rainbow. Most people know that rainbow takes the form of a multi-colored arc, with red on the outer part of the arch and violet on the inner section of the arch. Our 2-way flag handle key is followed by the rainbow color, as represents a series of beautiful tools.



029 TWO-WAY FLAG HANDLE HEX KEY; BLACK OXIDE

MATERIAL: Chrome Vanadium Steel (CR-V)

ITEM NO.	SIZE (S)MM	HANDLE (B)MM (A)MM	HEX KEY (C)MM	TOTAL LENGTH (L)MM	g/1PK	PK/INNER/CTN (PCS)	N.W. (KGS)	G.W. (KGS)	CUFT.
029-M020-FB0	2.0	31 34	40	74	46	5/60/1200	11.0	13.5	1.58
029-M025-FB1	2.5	31 34	40	74	52	5/60/1200	12.5	15.0	1.58
029-M030-FB1	3.0	31 34	40	74	59	5/60/1200	14.2	17.4	1.58



039 TWO-WAY FLAG HANDLE STAR KEY; BLACK OXIDE

MATERIAL: Steel of Ni-Cr-Mo-V (SNCMV)

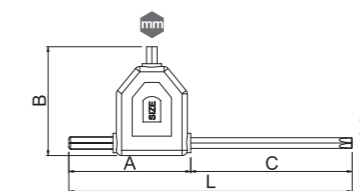
ITEM NO.	SIZE (S)	HANDLE (B)MM (A)MM	HEX KEY (C)MM	TOTAL LENGTH (L)MM	g/1PK	PK/INNER/CTN (PCS)	N.W. (KGS)	G.W. (KGS)	CUFT.
039-0006-KB	T6	31 34	40	74	56	5/60/1200	13.4	15.9	1.58
039-0007-KB	T7	31 34	40	74	56	5/60/1200	13.4	15.9	1.58
039-0008-KB	T8	31 34	40	74	56	5/60/1200	13.4	15.9	1.58
039-0009-KB	T9	31 34	40	74	56	5/60/1200	13.4	15.9	1.58
039-0010-KB	T10	31 34	40	74	56	5/60/1200	13.4	15.9	1.58
039-0015-KB	T15	31 34	45	79	61	5/60/1200	14.6	17.1	1.58



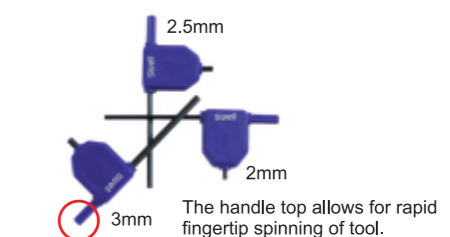
036 TWO-WAY FLAG HANDLE TAMPER STAR KEY; BLACK OXIDE

MATERIAL: Steel of Ni-Cr-Mo-V (SNCMV)

ITEM NO.	SIZE (S)	HANDLE (B)MM (A)MM	HEX KEY (C)MM	TOTAL LENGTH (L)MM	g/1PK	PK/INNER/CTN (PCS)	N.W. (KGS)	G.W. (KGS)	CUFT.
036-0006-KB	T6	31 34	40	74	56	5/60/1200	13.4	15.9	1.58
036-0007-KB	T7	31 34	40	74	56	5/60/1200	13.4	15.9	1.58
036-0008-KB	T8	31 34	40	74	56	5/60/1200	13.4	15.9	1.58
036-0009-KB	T9	31 34	40	74	56	5/60/1200	13.4	15.9	1.58
036-0010-KB	T10	31 34	40	74	56	5/60/1200	13.4	15.9	1.58
036-0015-KB	T15	31 34	45	79	61	5/60/1200	14.6	17.1	1.58



Package: **Hanging box**



Color Code:
Metric sizes: Indigo
T6: Purple
T7: Red
T8: Orange
T9: Yellow
T10: Green
T15: Blue

RAINBOW

106





★ **011 TWO-WAY FLAG HANDLE STAR KEY SET; BLACK OXIDE**

MATERIAL: Steel of Ni-Cr-Mo-V (SNCMV)

ITEM NO.	PCS/SET	DESCRIPTION	INNER/CTN (SETS)	N.W. (KGS)	G.W. (KGS)	CUFT.
011-4700	5 PCS	T7-T8-T9-T10-T15	12/240	14.3	16.7	1.58
011-5700	6 PCS	T6-T7-T8-T9-T10-T15	12/240	16.0	18.4	1.58

★ **011 TWO-WAY FLAG HANDLE TAMPER STAR KEY SET; BLACK OXIDE**

MATERIAL: Steel of Ni-Cr-Mo-V (SNCMV)

ITEM NO.	PCS/SET	DESCRIPTION	INNER/CTN (SETS)	N.W. (KGS)	G.W. (KGS)	CUFT.
011-5000	5 PCS	T7-T8-T9-T10-T15	12/240	14.3	16.7	1.58
011-6000	6 PCS	T6-T7-T8-T9-T10-T15	12/240	16.0	18.4	1.58

Features of Product:

- 2-way flag handle are functional used for insertion and removal of screws from torsion blade/cutting tools.
- Perfect for applications where other handle types might be unsuitable to use.
- Large handle area for thumb and index finger to loose or tight any screw with comfort.
- The flag handle features for positioning screws in the borehole and also quickly turning of screws.



Easy fingertip spinning of tool with well designed handle top.



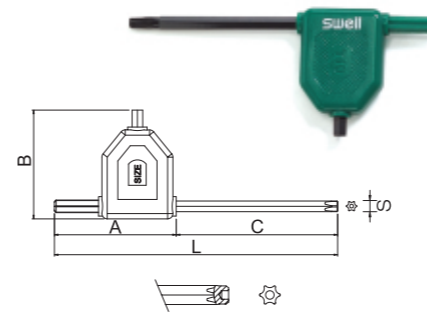
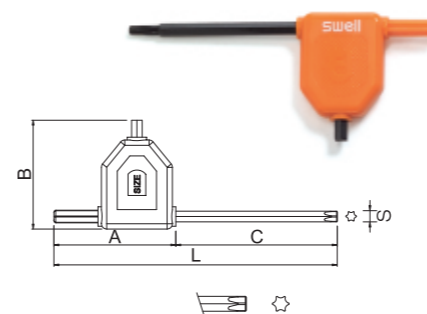
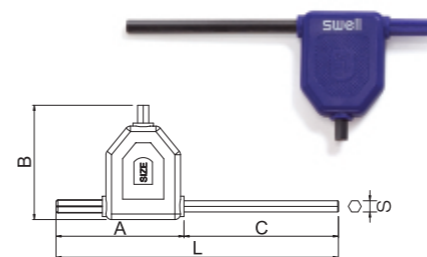
Set of keys is housed in a light and handy box.



Box features easy hanging on the wall or storing in a toolbox design.

Color Code:

- Metric sizes:** Indigo
T6: Purple
T7: Red **T20: Red**
T8: Orange **T25: Orange**
T9: Yellow **T27: Yellow**
T10: Green **T30: Green**
T15: Blue



Package:
Hanging box

◆ **029 TWO-WAY FLAG HANDLE HEX KEY; BLACK OXIDE**

MATERIAL: Chrome Vanadium Steel (CR-V)

ITEM NO.	SIZE (S)MM	HANDLE (B)MM (A)MM	HEX KEY (C)MM	TOTAL LENGTH (L)MM	g/1PC	INNER/CTN (PCS)	N.W. (KGS)	G.W. (KGS)	CUFT.
029-M020-FB0	2.0	31 34	40	74	5	30/900	4.5	6.1	0.83
029-M025-FB1	2.5	31 34	40	74	6	30/900	5.4	7.0	0.83
029-M030-FB1	3.0	31 34	40	74	8	30/900	6.8	8.4	0.83
029-M040-FB2	4.0	38 34	45	79	8	30/900	—	—	—
029-M050-FB2	5.0	38 34	45	79	8	30/900	—	—	—

★ **039 TWO-WAY FLAG HANDLE STAR KEY; BLACK OXIDE**

MATERIAL: Steel of Ni-Cr-Mo-V (SNCMV)

ITEM NO.	SIZE (S)	HANDLE (B)MM (A)MM	HEX KEY (C)MM	TOTAL LENGTH (L)MM	g/1PC	INNER/CTN (PCS)	N.W. (KGS)	G.W. (KGS)	CUFT.
039-0006-KB	T6	31 34	40	74	7	30/900	6.3	7.9	0.83
039-0007-KB	T7	31 34	40	74	7	30/900	6.3	7.9	0.83
039-0008-KB	T8	31 34	40	74	7	30/900	6.3	7.9	0.83
039-0009-KB	T9	31 34	40	74	7	30/900	6.3	7.9	0.83
039-0010-KB	T10	31 34	40	74	7	30/900	6.3	7.9	0.83
039-0015-KB	T15	31 34	45	79	8	30/900	7.2	8.8	0.83
039-0020-KB	T20	38 34	45	79	—	30/900	—	—	—
039-0025-KB	T25	38 34	45	79	—	30/900	—	—	—
039-0027-KB	T27	38 34	45	79	—	30/900	—	—	—
039-0030-KB	T30	38 34	45	79	—	30/900	—	—	—

★ **036 TWO-WAY FLAG HANDLE TAMPER STAR KEY; BLACK OXIDE**

MATERIAL: Steel of Ni-Cr-Mo-V (SNCMV)

ITEM NO.	SIZE (S)	HANDLE (B)MM (A)MM	HEX KEY (C)MM	TOTAL LENGTH (L)MM	g/1PC	INNER/CTN (PCS)	N.W. (KGS)	G.W. (KGS)	CUFT.
036-0006-KB	T6	31 34	40	74	7	30/900	6.3	7.9	0.83
036-0007-KB	T7	31 34	40	74	7	30/900	6.3	7.9	0.83
036-0008-KB	T8	31 34	40	74	7	30/900	6.3	7.9	0.83
036-0009-KB	T9	31 34	40	74	7	30/900	6.3	7.9	0.83
036-0010-KB	T10	31 34	40	74	7	30/900	6.3	7.9	0.83
036-0015-KB	T15	31 34	45	79	8	30/900	7.2	8.8	0.83
036-0020-KB	T20	38 34	45	79	—	30/900	—	—	—
036-0025-KB	T25	38 34	45	79	—	30/900	—	—	—
036-0027-KB	T27	38 34	45	79	—	30/900	—	—	—
036-0030-KB	T30	38 34	45	79	—	30/900	—	—	—