

PLUTO



PLUTO

90

PLUTO

Features of Product:

- Ergonomic 2-way T-handle allows effective use of either end of key.
- Durable material of T-Handle increases leverage while reducing hand fatigue.
- Handle sizes are matched blade torque capabilities to prevent over-torquing.
- Handle and blade are strongly molded and would not loose or slip.
- Tough coating resists damage and cushions grip.
- Handle does not adhere to hold dirt -- excellent cleanup quality.



T-handle with L-key increases stability.



Durable material prevents splitting with L-key.



070 TWO-WAY T-HANDLE HEX KEY SET; CHROME PLATED

MATERIAL: Steel of Ni-Cr-Mo-V (SNCMV)

ITEM NO.	PCS/SET	DESCRIPTION	INNER/CTN (SETS)	N.W. (KGS)	G.W. (KGS)	CUFT.
070-03M0	8 PCS	2-2.5-3-4-5-6-8-10MM	1/12	12.3	16.1	4.00
070-04A0	8 PCS	5/64-3/32-1/8-5/32-3/16-1/4-5/16-3/8"	1/12	12.2	16.0	4.00

070 TWO-WAY T-HANDLE BALL POINT HEX KEY SET; CHROME PLATED

MATERIAL: Steel of Ni-Cr-Mo-V (SNCMV)

ITEM NO.	PCS/SET	DESCRIPTION	INNER/CTN (SETS)	N.W. (KGS)	G.W. (KGS)	CUFT.
070-13M0	8 PCS	2-2.5-3-4-5-6-8-10MM	1/12	12.3	16.1	4.00
070-14A0	8 PCS	5/64-3/32-1/8-5/32-3/16-1/4-5/16-3/8"	1/12	12.2	16.0	4.00

Display Box with butterfly holes for hanging on wall

Color Code:
Metric: **Orange**
Inch: **Green**

Package:
Metal stand (at a slope) + Label

PLUTO

91

025 TWO-WAY T-HANDLE HEX KEY; CHROME PLATED

MATERIAL: Steel of Ni-Cr-Mo-V (SNCMV)

ITEM NO.	SIZE (S)MM	HANDLE (B)MM (A)MM	HEX KEY (C)MM	TOTAL LENGTH (L)MM	g/1PC	INNER/CTN (PCS)	N.W. (KGS)	G.W. (KGS)	CUFT.
025-M020-KS	2.0	80 46	85	131	33	12/72	2.4	4.1	1.27
025-M025-KS	2.5	80 46	95	141	36	12/72	2.6	4.3	1.27
025-M030-KS	3.0	80 46	107	153	40	12/72	2.9	4.6	1.27
025-M040-KS	4.0	92 52	113	165	63	12/72	4.6	6.6	1.64
025-M050-KS	5.0	92 52	124	176	75	12/72	5.4	7.4	1.64
025-M060-KS	6.0	109 60	127	187	116	12/48	5.6	7.6	1.72
025-M070-KS	7.0	109 60	132	192	128	12/48	6.2	8.2	1.72
025-M080-KS	8.0	109 60	137	197	162	12/48	7.8	9.8	1.72
025-M100-KS	10.0	109 60	147	207	226	12/48	10.9	12.9	1.72

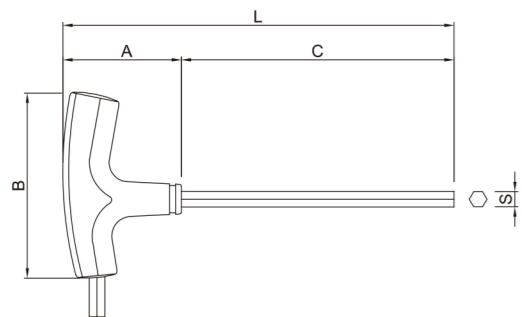
ITEM NO.	SIZE (S)	HANDLE (B)MM (A)MM	HEX KEY (C)MM	TOTAL LENGTH (L)MM	g/1PC	INNER/CTN (PCS)	N.W. (KGS)	G.W. (KGS)	CUFT.
025-0198-KS	5/64"	80 46	85	131	34	12/72	2.5	4.2	1.27
025-0238-KS	3/32"	80 46	95	141	36	12/72	2.6	4.3	1.27
025-0278-KS	7/64"	80 46	100	146	38	12/72	2.8	4.5	1.27
025-0317-KS	1/8"	80 46	105	151	41	12/72	3.0	4.7	1.27
025-0357-KS	9/64"	80 46	110	156	44	12/72	3.2	4.9	1.27
025-0397-KS	5/32"	92 52	112	164	63	12/72	4.6	6.6	1.64
025-0476-KS	3/16"	92 52	120	172	72	12/72	5.2	7.2	1.64
025-0555-KS	7/32"	92 52	129	181	85	12/72	6.2	8.2	1.64
025-0635-KS	1/4"	109 60	131	191	124	12/48	6.0	8.0	1.72
025-0794-KS	5/16"	109 60	139	199	161	12/48	7.8	9.8	1.72
025-0952-KS	3/8"	109 60	147	207	210	12/48	10.1	12.1	1.72

Features of Product:

- Patent 2-Way T-Handle design increases torque, comfort and efficiency.
- 2-Way T-Handle features: both top and bottom.
- Durable Material of T-Handle increases leverage while reducing hand fatigue.
- Absolute guarantee of the durability of hex keys.

Color Code:
Metric: **Orange**
Inch: **Green**

Package:
Tagged + Label



024 TWO-WAY T-HANDLE BALL POINT HEX KEY; CHROME PLATED

MATERIAL: Steel of Ni-Cr-Mo-V (SNCMV)

ITEM NO.	SIZE (S)MM	HANDLE (B)MM (A)MM	HEX KEY (C)MM	TOTAL LENGTH (L)MM	g/1PC	INNER/CTN (PCS)	N.W. (KGS)	G.W. (KGS)	CUFT.
024-M020-KS	2.0	80 46	85	131	33	12/72	2.4	4.1	1.27
024-M025-KS	2.5	80 46	95	141	36	12/72	2.6	4.3	1.27
024-M030-KS	3.0	80 46	107	153	40	12/72	2.9	4.6	1.27
024-M040-KS	4.0	92 52	113	165	63	12/72	4.6	6.6	1.64
024-M050-KS	5.0	92 52	124	176	75	12/72	5.4	7.4	1.64
024-M060-KS	6.0	109 60	127	187	116	12/48	5.6	7.6	1.72
024-M070-KS	7.0	109 60	132	192	128	12/48	6.2	8.2	1.72
024-M080-KS	8.0	109 60	137	197	162	12/48	7.8	9.8	1.72
024-M100-KS	10.0	109 60	147	207	226	12/48	10.9	12.9	1.72

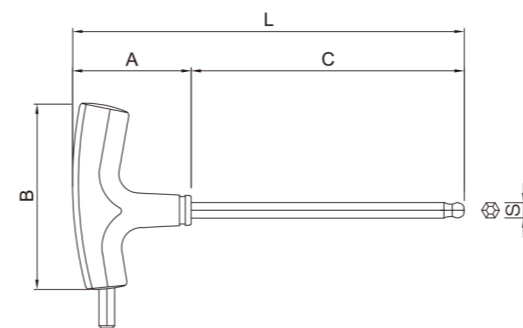
ITEM NO.	SIZE (S)	HANDLE (B)MM (A)MM	HEX KEY (C)MM	TOTAL LENGTH (L)MM	g/1PC	INNER/CTN (PCS)	N.W. (KGS)	G.W. (KGS)	CUFT.
024-0198-KS	5/64"	80 46	85	131	34	12/72	2.5	4.2	1.27
024-0238-KS	3/32"	80 46	95	141	36	12/72	2.6	4.3	1.27
024-0278-KS	7/64"	80 46	100	146	38	12/72	2.8	4.5	1.27
024-0317-KS	1/8"	80 46	105	151	41	12/72	3.0	4.7	1.27
024-0357-KS	9/64"	80 46	110	156	44	12/72	3.2	4.9	1.27
024-0397-KS	5/32"	92 52	112	164	63	12/72	4.6	6.6	1.64
024-0476-KS	3/16"	92 52	120	172	72	12/72	5.2	7.2	1.64
024-0555-KS	7/32"	92 52	129	181	85	12/72	6.2	8.2	1.64
024-0635-KS	1/4"	109 60	131	191	124	12/48	6.0	8.0	1.72
024-0794-KS	5/16"	109 60	139	199	161	12/48	7.8	9.8	1.72
024-0952-KS	3/8"	109 60	147	207	210	12/48	10.1	12.1	1.72

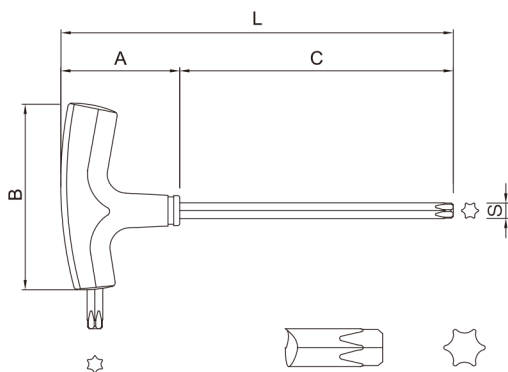
Features of Product:

- Patent 2-Way T-Handle design increases torque, comfort and efficiency.
- 2-Way T-Handle features: both top and bottom.
- Durable Material of T-Handle increases leverage while reducing hand fatigue.
- Absolute guarantee of the durability of hex keys.

Color Code:
Metric: **Orange**
Inch: **Green**

Package:
Tagged + Label





★ 041 TWO-WAY T-HANDLE STAR KEY; CHROME PLATED

MATERIAL: Steel of Ni-Cr-Mo-V (SNCMV)

ITEM NO.	SIZE (S)MM	HANDLE (B)MM (A)MM	HEX KEY (C)MM	TOTAL LENGTH (L)MM	g/1PC	INNER/CTN (PCS)	N.W. (KGS)	G.W. (KGS)	CUFT.
041-0707-KS5	T7	80 46	105	151	41	12/72	3.0	4.7	1.27
041-0808-KS5	T8	80 46	105	151	41	12/72	3.0	4.7	1.27
041-0909-KS5	T9	80 46	105	151	41	12/72	3.0	4.7	1.27
041-1010-KS5	T10	80 46	105	151	41	12/72	3.0	4.7	1.27
041-1515-KS5	T15	80 46	105	151	41	12/72	3.0	4.7	1.27
041-2020-KS5	T20	92 52	112	164	63	12/72	4.6	6.6	1.64
041-2525-KS5	T25	92 52	120	172	72	12/72	5.2	7.2	1.64
041-2727-KS5	T27	92 52	120	172	72	12/72	5.2	7.2	1.64
041-3030-KS5	T30	92 52	129	181	85	12/72	6.2	8.2	1.64
041-4040-KS5	T40	109 60	131	191	124	12/48	6.0	8.0	1.72
041-4545-KS5	T45	109 60	139	199	161	12/48	7.8	9.8	1.72
041-5050-KS5	T50	109 60	139	199	161	12/48	7.8	9.8	1.72

Features of Product:

- The hardness and torque of star key wrench meet international standard.
- High torque star key wrench with **hexagonal shape**.
- Patent 2-Way T-Handle design increases torque, comfort and efficiency.
- 2-Way T-Handle features: both top and bottom end.
- Durable Material of T-Handle increases leverage while reducing hand fatigue.
- Absolute guarantee of the durability of hex keys.

Color Code:
Star: **Grey**

Package:
Tagged + Label

