

RHINO



RHINO

95



Rhino Skin (a thick protective skin)

RHINO

The word "rhinoceros" is derived from the Greek meaning "horned-nose". The most obvious distinguishing characteristic of the rhinos is a large horn above the nose. The rhino is prized for its horn.

Our design idea comes from rhino, which shows tough and steady image. The short side of T-handle is more likely rhino's horn, which represents hard-wearing and strong. The shape of T-handle is followed ergonomic designs to ensure handle fits comfortably in the users' hands. As a result, tool users experience less fatigue and the pain caused by the prolonged tool use. Durable bi-material as rhino's skin is molded on L-key for strengths and non-slip surfaces ensure good grip. Jaco T-handle allows effective use of either end of key, and sizes to match the torque capacity of each blade tip.

070 BI-MATERIAL TWO-WAY T-HANDLE HEX KEY SET; BLACK OXIDE

MATERIAL: Chrome Vanadium Steel (CR-V)

ITEM NO.	PCS/SET	DESCRIPTION	INNER/CTN (SETS)	N.W. (KGS)	G.W. (KGS)	CUFT.
070-21M0	8 PCS	2-2.5-3-4-5-6-8-10MM	1/12	12.3	15.6	3.29
070-24M0	6 PCS	2.5-3-4-5-6-8MM	1/12	9.6	12.6	2.87
070-22A0	8 PCS	5/64-3/32-1/8-5/32-3/16-1/4-5/16-3/8"	1/12	12.2	15.5	3.29

070 BI-MATERIAL TWO-WAY T-HANDLE BALL POINT HEX KEY SET; BLACK OXIDE

MATERIAL: Chrome Vanadium Steel (CR-V)

ITEM NO.	PCS/SET	DESCRIPTION	INNER/CTN (SETS)	N.W. (KGS)	G.W. (KGS)	CUFT.
070-31M0	8 PCS	2-2.5-3-4-5-6-8-10MM	1/12	12.3	15.6	3.29
070-34M0	6 PCS	2.5-3-4-5-6-8MM	1/12	9.6	12.6	2.87
070-32A0	8 PCS	5/64-3/32-1/8-5/32-3/16-1/4-5/16-3/8"	1/12	12.2	15.5	3.29



Color Code:
Metric: **Orange + Black**
Inch: **Green + Black**

Package:
Metal stand (at a slope) + Label

RHINO

96

● **070 BI-MATERIAL TWO-WAY T-HANDLE HEX KEY SET; CHROME PLATED**

MATERIAL: Steel of Ni-Cr-Mo-V (SNCMV)

ITEM NO.	PCS/SET	DESCRIPTION	INNER/CTN (SETS)	N.W. (KGS)	G.W. (KGS)	CUFT.
070-41M0	8 PCS	2-2.5-3-4-5-6-8-10MM	1/12	12.3	15.6	3.29
070-44M0	6 PCS	2.5-3-4-5-6-8MM	1/12	9.6	12.6	2.87
070-42A0	8 PCS	5/64-3/32-1/8-5/32-3/16-1/4-5/16-3/8"	1/12	12.2	15.5	3.29

● **070 BI-MATERIAL TWO-WAY T-HANDLE BALL POINT HEX KEY SET; CHROME PLATED**

MATERIAL: Steel of Ni-Cr-Mo-V (SNCMV)

ITEM NO.	PCS/SET	DESCRIPTION	INNER/CTN (SETS)	N.W. (KGS)	G.W. (KGS)	CUFT.
070-51M0	8 PCS	2-2.5-3-4-5-6-8-10MM	1/12	12.3	15.6	3.29
070-54M0	6 PCS	2.5-3-4-5-6-8MM	1/12	9.6	12.6	2.87
070-52A0	8 PCS	5/64-3/32-1/8-5/32-3/16-1/4-5/16-3/8"	1/12	12.2	15.5	3.29



Color Code:
Metric: **Orange + Black**
Inch: **Green + Black**

Package:
Metal stand (at a slope) + Label

★ **070 BI-MATERIAL TWO-WAY T-HANDLE STAR KEY SET; BLACK OXIDE**

MATERIAL: Steel of Ni-Cr-Mo-V (SNCMV)

ITEM NO.	PCS/SET	DESCRIPTION	INNER/CTN (SETS)	N.W. (KGS)	G.W. (KGS)	CUFT.
070-26T0	8 PCS	T8-T10-T15-T20-T25-T30-T40-T50	1/12	10.2	13.5	3.29

★ **070 BI-MATERIAL TWO-WAY T-HANDLE STAR KEY SET; CHROME PLATED**

MATERIAL: Steel of Ni-Cr-Mo-V (SNCMV)

ITEM NO.	PCS/SET	DESCRIPTION	INNER/CTN (SETS)	N.W. (KGS)	G.W. (KGS)	CUFT.
070-46T0	8 PCS	T8-T10-T15-T20-T25-T30-T40-T50	1/12	10.2	13.5	3.29



Color Code:
Star: **Grey + Black**

Package:
Metal stand (at a slope) + Label

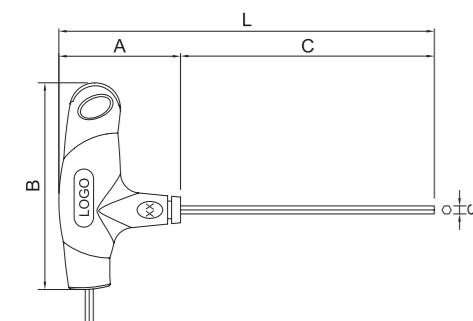




020 BI-MATERIAL TWO-WAY T-HANDLE HEX KEY; BLACK OXIDE

MATERIAL: Chrome Vanadium Steel (CR-V)

ITEM NO.	SIZE (S)MM	HANDLE (B)MM (A)MM	HEX KEY (C)MM	TOTAL LENGTH (L)MM	g/1PC	INNER/CTN (PCS)	N.W. (KGS)	G.W. (KGS)	CUFT.
020-M020-FB	2.0	83 49	85	134	34	12/72	2.5	4.2	1.27
020-M025-FB	2.5	83 49	95	144	37	12/72	2.7	4.4	1.27
020-M030-FB	3.0	83 49	107	156	41	12/72	3.0	4.7	1.27
020-M040-FB	4.0	93 55	113	168	60	12/72	4.3	6.3	1.64
020-M050-FB	5.0	93 55	123	178	73	12/72	5.3	7.3	1.64
020-M060-FB	6.0	108 66	124	190	115	12/48	5.5	7.5	1.72
020-M070-FB	7.0	108 66	130	196	136	12/48	6.5	8.5	1.72
020-M080-FB	8.0	108 66	135	201	159	12/48	7.6	9.6	1.72
020-M100-FB	10.0	108 66	146	212	224	12/48	10.8	12.8	1.72



ITEM NO.	SIZE (S)	HANDLE (B)MM (A)MM	HEX KEY (C)MM	TOTAL LENGTH (L)MM	g/1PC	INNER/CTN (PCS)	N.W. (KGS)	G.W. (KGS)	CUFT.
020-0198-FB	5/64"	83 49	85	134	34	12/72	2.5	4.2	1.27
020-0238-FB	3/32"	83 49	95	144	36	12/72	2.6	4.3	1.27
020-0278-FB	7/64"	83 49	100	149	40	12/72	2.9	4.6	1.27
020-0317-FB	1/8"	83 49	105	154	42	12/72	3.0	4.7	1.27
020-0357-FB	9/64"	83 49	110	159	48	12/72	3.5	5.2	1.27
020-0397-FB	5/32"	93 55	112	167	60	12/72	4.3	6.3	1.64
020-0476-FB	3/16"	93 55	120	175	70	12/72	5.0	7.0	1.64
020-0555-FB	7/32"	93 55	128	183	85	12/72	6.2	8.2	1.64
020-0635-FB	1/4"	108 66	128	194	123	12/48	6.0	8.0	1.72
020-0794-FB	5/16"	108 66	137	203	158	12/48	7.6	9.6	1.72
020-0952-FB	3/8"	108 66	146	212	209	12/48	10.0	12.0	1.72

Features of Product:

- Handle sizes are matched blade torque capabilities to prevent over-torquing.
- Handle and blade are strongly molded and would not loose or slip.
- Hang hole molded into Handle for easy storage.

Color Code:
Metric: **Orange**
Inch: **Green**

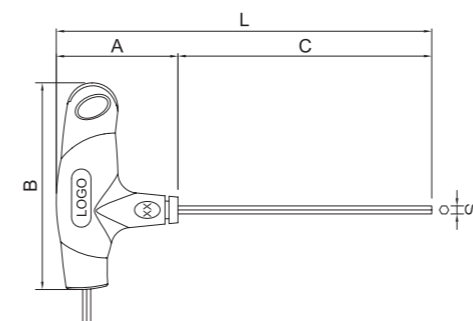
Package:
Tagged + Label



020 BI-MATERIAL TWO-WAY T-HANDLE HEX KEY; CHROME PLATED

MATERIAL: Steel of Ni-Cr-Mo-V (SNCMV)

ITEM NO.	SIZE (S)MM	HANDLE (B)MM (A)MM	HEX KEY (C)MM	TOTAL LENGTH (L)MM	g/1PC	INNER/CTN (PCS)	N.W. (KGS)	G.W. (KGS)	CUFT.
020-M020-KS	2.0	83 49	85	134	34	12/72	2.5	4.2	1.27
020-M025-KS	2.5	83 49	95	144	37	12/72	2.7	4.4	1.27
020-M030-KS	3.0	83 49	107	156	41	12/72	3.0	4.7	1.27
020-M040-KS	4.0	93 55	113	168	60	12/72	4.3	6.3	1.64
020-M050-KS	5.0	93 55	123	178	73	12/72	5.3	7.3	1.64
020-M060-KS	6.0	108 66	124	190	115	12/48	5.5	7.5	1.72
020-M070-KS	7.0	108 66	130	196	136	12/48	6.5	8.5	1.72
020-M080-KS	8.0	108 66	135	201	159	12/48	7.6	9.6	1.72
020-M100-KS	10.0	108 66	146	212	224	12/48	10.8	12.8	1.72



ITEM NO.	SIZE (S)	HANDLE (B)MM (A)MM	HEX KEY (C)MM	TOTAL LENGTH (L)MM	g/1PC	INNER/CTN (PCS)	N.W. (KGS)	G.W. (KGS)	CUFT.
020-0198-KS	5/64"	83 49	85	134	34	12/72	2.5	4.2	1.27
020-0238-KS	3/32"	83 49	95	144	36	12/72	2.6	4.3	1.27
020-0278-KS	7/64"	83 49	100	149	40	12/72	2.9	4.6	1.27
020-0317-KS	1/8"	83 49	105	154	42	12/72	3.0	4.7	1.27
020-0357-KS	9/64"	83 49	110	159	48	12/72	3.5	5.2	1.27
020-0397-KS	5/32"	93 55	112	167	60	12/72	4.3	6.3	1.64
020-0476-KS	3/16"	93 55	120	175	70	12/72	5.0	7.0	1.64
020-0555-KS	7/32"	93 55	128	183	85	12/72	6.2	8.2	1.64
020-0635-KS	1/4"	108 66	128	194	123	12/48	6.0	8.0	1.72
020-0794-KS	5/16"	108 66	137	203	158	12/48	7.6	9.6	1.72
020-0952-KS	3/8"	108 66	146	212	209	12/48	10.0	12.0	1.72

Color Code:
Metric: **Orange**
Inch: **Green**

Package:
Tagged + Label





021 BI-MATERIAL TWO-WAY T-HANDLE BALL POINT HEX KEY; BLACK OXIDE

MATERIAL: Chrome Vanadium Steel (CR-V)

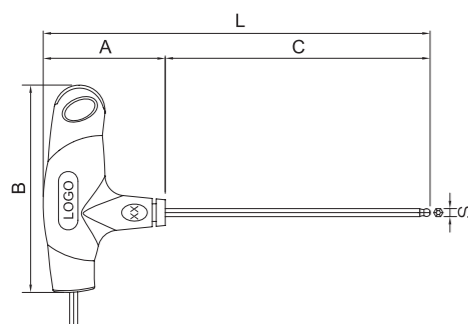
ITEM NO.	SIZE (S)MM	HANDLE (B)MM (A)MM	HEX KEY (C)MM	TOTAL LENGTH (L)MM	g/1PC	INNER/CTN (PCS)	N.W. (KGS)	G.W. (KGS)	CUFT.
021-M020-FB	2.0	83 49	85	134	34	12/72	2.5	4.2	1.27
021-M025-FB	2.5	83 49	95	144	37	12/72	2.7	4.4	1.27
021-M030-FB	3.0	83 49	107	156	41	12/72	3.0	4.7	1.27
021-M040-FB	4.0	93 55	113	168	60	12/72	4.3	6.3	1.64
021-M050-FB	5.0	93 55	123	178	73	12/72	5.3	7.3	1.64
021-M060-FB	6.0	108 66	124	190	115	12/48	5.5	7.5	1.72
021-M070-FB	7.0	108 66	130	196	136	12/48	6.5	8.5	1.72
021-M080-FB	8.0	108 66	135	201	159	12/48	7.6	9.6	1.72
021-M100-FB	10.0	108 66	146	212	224	12/48	10.8	12.8	1.72



021 BI-MATERIAL TWO-WAY T-HANDLE BALL POINT HEX KEY; CHROME PLATED

MATERIAL: Steel of Ni-Cr-Mo-V (SNCMV)

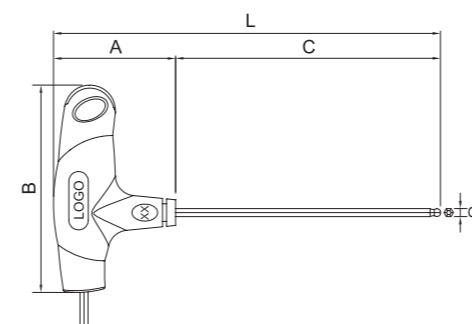
ITEM NO.	SIZE (S)MM	HANDLE (B)MM (A)MM	HEX KEY (C)MM	TOTAL LENGTH (L)MM	g/1PC	INNER/CTN (PCS)	N.W. (KGS)	G.W. (KGS)	CUFT.
021-M020-KS	2.0	83 49	85	134	34	12/72	2.5	4.2	1.27
021-M025-KS	2.5	83 49	95	144	37	12/72	2.7	4.4	1.27
021-M030-KS	3.0	83 49	107	156	41	12/72	3.0	4.7	1.27
021-M040-KS	4.0	93 55	113	168	60	12/72	4.3	6.3	1.64
021-M050-KS	5.0	93 55	123	178	73	12/72	5.3	7.3	1.64
021-M060-KS	6.0	108 66	124	190	115	12/48	5.5	7.5	1.72
021-M070-KS	7.0	108 66	130	196	136	12/48	6.5	8.5	1.72
021-M080-KS	8.0	108 66	135	201	159	12/48	7.6	9.6	1.72
021-M100-KS	10.0	108 66	146	212	224	12/48	10.8	12.8	1.72



Color Code:
Metric: **Orange**
Inch: **Green**

Package:
Tagged + Label

ITEM NO.	SIZE (S)	HANDLE (B)MM (A)MM	HEX KEY (C)MM	TOTAL LENGTH (L)MM	g/1PC	INNER/CTN (PCS)	N.W. (KGS)	G.W. (KGS)	CUFT.
021-0198-FB	5/64"	83 49	85	134	34	12/72	2.5	4.2	1.27
021-0238-FB	3/32"	83 49	95	144	36	12/72	2.6	4.3	1.27
021-0278-FB	7/64"	83 49	100	149	40	12/72	2.9	4.6	1.27
021-0317-FB	1/8"	83 49	105	154	42	12/72	3.0	4.7	1.27
021-0357-FB	9/64"	83 49	110	159	48	12/72	3.5	5.2	1.27
021-0397-FB	5/32"	93 55	112	167	60	12/72	4.3	6.3	1.64
021-0476-FB	3/16"	93 55	120	175	70	12/72	5.0	7.0	1.64
021-0555-FB	7/32"	93 55	128	183	85	12/72	6.2	8.2	1.64
021-0635-FB	1/4"	108 66	128	194	123	12/48	6.0	8.0	1.72
021-0794-FB	5/16"	108 66	137	203	158	12/48	7.6	9.6	1.72
021-0952-FB	3/8"	108 66	146	212	209	12/48	10.0	12.0	1.72



Color Code:
Metric: **Orange**
Inch: **Green**

Package:
Tagged + Label

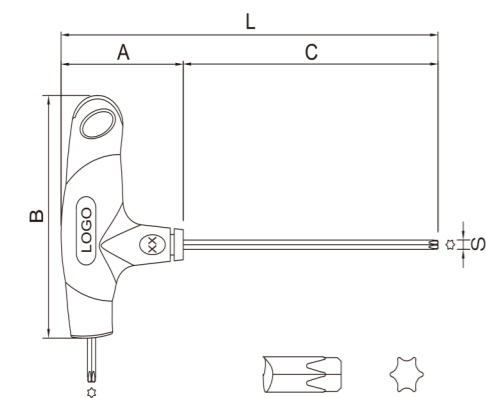
ITEM NO.	SIZE (S)	HANDLE (B)MM (A)MM	HEX KEY (C)MM	TOTAL LENGTH (L)MM	g/1PC	INNER/CTN (PCS)	N.W. (KGS)	G.W. (KGS)	CUFT.
021-0198-KS	5/64"	83 49	85	134	34	12/72	2.5	4.2	1.27
021-0238-KS	3/32"	83 49	95	144	36	12/72	2.6	4.3	1.27
021-0278-KS	7/64"	83 49	100	149	40	12/72	2.9	4.6	1.27
021-0317-KS	1/8"	83 49	105	154	42	12/72	3.0	4.7	1.27
021-0357-KS	9/64"	83 49	110	159	48	12/72	3.5	5.2	1.27
021-0397-KS	5/32"	93 55	112	167	60	12/72	4.3	6.3	1.64
021-0476-KS	3/16"	93 55	120	175	70	12/72	5.0	7.0	1.64
021-0555-KS	7/32"	93 55	128	183	85	12/72	6.2	8.2	1.64
021-0635-KS	1/4"	108 66	128	194	123	12/48	6.0	8.0	1.72
021-0794-KS	5/16"	108 66	137	203	158	12/48	7.6	9.6	1.72
021-0952-KS	3/8"	108 66	146	212	209	12/48	10.0	12.0	1.72



★ **017 BI-MATERIAL TWO-WAY T-HANDLE STAR KEY; BLACK OXIDE**

MATERIAL: Steel of Ni-Cr-Mo-V (SNCMV)

ITEM NO.	SIZE (S)	HANDLE (B)MM (A)MM	HEX KEY (C)MM	TOTAL LENGTH (L)MM	g/1PC	INNER/CTN (PCS)	N.W. (KGS)	G.W. (KGS)	CUFT.
017-0707-KB5	T7	83 49	105	154	44	12/72	3.2	4.9	1.27
017-0808-KB5	T8	83 49	105	154	44	12/72	3.2	4.9	1.27
017-0909-KB5	T9	83 49	105	154	44	12/72	3.2	4.9	1.27
017-1010-KB5	T10	83 49	105	154	44	12/72	3.2	4.9	1.27
017-1515-KB5	T15	83 49	105	154	44	12/72	3.2	4.9	1.27
017-2020-KB5	T20	93 55	112	167	62	12/72	4.5	6.5	1.64
017-2525-KB5	T25	93 55	120	175	72	12/72	5.2	7.2	1.64
017-2727-KB5	T27	93 55	120	175	72	12/72	5.2	7.2	1.64
017-3030-KB5	T30	93 55	128	183	85	12/72	6.1	8.1	1.64
017-4040-KB5	T40	108 66	128	194	126	12/48	6.0	8.0	1.72
017-4545-KB5	T45	108 66	137	203	162	12/48	7.8	9.8	1.72
017-5050-KB5	T50	108 66	137	203	162	12/48	7.8	9.8	1.72



★ **017 BI-MATERIAL TWO-WAY T-HANDLE STAR KEY; CHROME PLATED**

MATERIAL: Steel of Ni-Cr-Mo-V (SNCMV)

ITEM NO.	SIZE (S)	HANDLE (B)MM (A)MM	HEX KEY (C)MM	TOTAL LENGTH (L)MM	g/1PC	INNER/CTN (PCS)	N.W. (KGS)	G.W. (KGS)	CUFT.
017-0707-KS5	T7	83 49	105	154	44	12/72	3.2	4.9	1.27
017-0808-KS5	T8	83 49	105	154	44	12/72	3.2	4.9	1.27
017-0909-KS5	T9	83 49	105	154	44	12/72	3.2	4.9	1.27
017-1010-KS5	T10	83 49	105	154	44	12/72	3.2	4.9	1.27
017-1515-KS5	T15	83 49	105	154	44	12/72	3.2	4.9	1.27
017-2020-KS5	T20	93 55	112	167	62	12/72	4.5	6.5	1.64
017-2525-KS5	T25	93 55	120	175	72	12/72	5.2	7.2	1.64
017-2727-KS5	T27	93 55	120	175	72	12/72	5.2	7.2	1.64
017-3030-KS5	T30	93 55	128	183	85	12/72	6.1	8.1	1.64
017-4040-KS5	T40	108 66	128	194	126	12/48	6.0	8.0	1.72
017-4545-KS5	T45	108 66	137	203	162	12/48	7.8	9.8	1.72
017-5050-KS5	T50	108 66	137	203	162	12/48	7.8	9.8	1.72



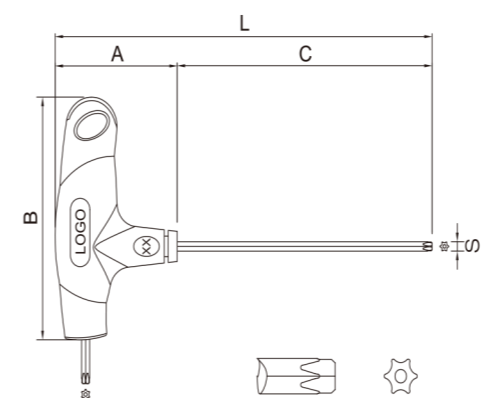
Color Code: Star: **Grey + Black**
 Package: **Tagged + Label**



★ **018 BI-MATERIAL TWO-WAY T-HANDLE TAMPER STAR KEY; BLACK OXIDE**

MATERIAL: Steel of Ni-Cr-Mo-V (SNCMV)

ITEM NO.	SIZE (S)	HANDLE (B)MM (A)MM	HEX KEY (C)MM	TOTAL LENGTH (L)MM	g/1PC	INNER/CTN (PCS)	N.W. (KGS)	G.W. (KGS)	CUFT.
018-0707-KB4	T7	83 49	105	154	44	12/72	3.2	4.9	1.27
018-0808-KB4	T8	83 49	105	154	44	12/72	3.2	4.9	1.27
018-0909-KB4	T9	83 49	105	154	44	12/72	3.2	4.9	1.27
018-1010-KB4	T10	83 49	105	154	44	12/72	3.2	4.9	1.27
018-1515-KB4	T15	83 49	105	154	44	12/72	3.2	4.9	1.27
018-2020-KB4	T20	93 55	112	167	62	12/72	4.5	6.5	1.64
018-2525-KB4	T25	93 55	120	175	72	12/72	5.2	7.2	1.64
018-2727-KB4	T27	93 55	120	175	72	12/72	5.2	7.2	1.64
018-3030-KB4	T30	93 55	128	183	85	12/72	6.1	8.1	1.64
018-4040-KB4	T40	108 66	128	194	126	12/48	6.0	8.0	1.72
018-4545-KB4	T45	108 66	137	203	162	12/48	7.8	9.8	1.72
018-5050-KB4	T50	108 66	137	203	162	12/48	7.8	9.8	1.72



Color Code: Star: **Grey + Black**
 Package: **Tagged + Label**

