

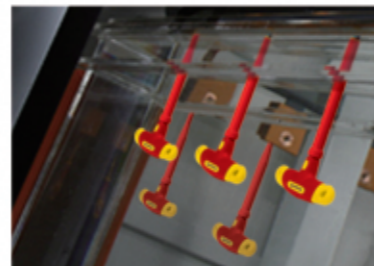
# SAFE INSULATED T-HANDLE



1000V



The low flammability properties of insulated T-handle material makes the height of flame not exceed 120mm within 20 second.



VDE T-handle was tested individually under 10,000 Volts.

## SAFE INSULATED T-HANDLE

### Features of Product:

- Every Insulated T-handle hex key is individually tested under 10,000 Volts, which fully conforming to DIN EN 60900.
- Performance is above DIN standards.
- Blade: Chrome Vanadium Steel, Black Oxide Finish.
- Handle: Bi-material soft handle for incredible comfort.
- Application: For easy tight and loose internal hex screws.
- Insulation molded directly onto blade for permanent bonding.

# VDE SAFETY TESTING



## IMPACT TEST

The insulated T-handle shall be conditioned at room temperature and at low temperature of  $25^{\circ}\text{C} \pm 3^{\circ}\text{C}$  for 2 hours. Selected 3 points of the insulated material or layer to test. There should be no break, come off or crack penetrating after the impact test.

## ADHENSION TEST

The insulated T-handle shall be conditioned for 168 hours at  $70 \pm 3^{\circ}\text{C}$ . The tool should remain firmly attached to the insulated material.



### INDENTATION TEST

No dielectric breakdown under a pressure of 20N and temperature up to +70°C at a test voltage of 5,000KV AC.



### DIELECTRIC TEST (sampling inspection)

Each insulated T-handle is tested at voltage of 10KV AC for 3 minutes to test leak. There is no electrical puncture, spark over, or flashover occurs during the test period.

### DIELECTRIC TEST

Each insulated T-handle should be tested at voltage of 10KV AC for 10 seconds in mass-production.





**FLAME RETARDANCY TEST**

The low flammability properties of insulated T-handle material makes the height of flame not exceed 120mm within 20 seconds. There shall be no air draught interferes during the test period.



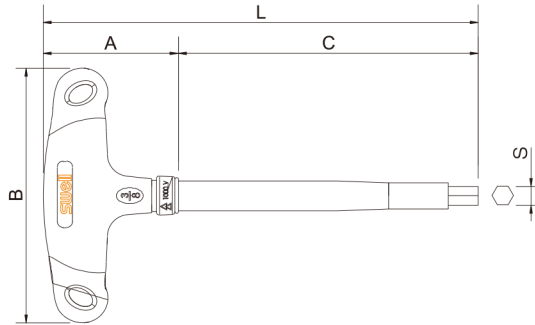
● **011 SAFE INSULATED T-HANDLE HEX KEY SET; BLACK OXIDE**

MATERIAL: Chrome Vanadium Steel (CR-V)

ITEM NO.	PCS/SET	DESCRIPTION	INNER/CTN (SETS)	N.W. (KGS)	G.W. (KGS)	CUFT.
011-35M0	7PCS	2.5-3-4-5-6-8-10 MM	4/16	16.9	19.9	3.33



Package: Canvas Bag



**060 SAFE INSULATED T-HANDLE HEX KEY; BLACK OXIDE**

MATERIAL: Chrome Vanadium Steel (CR-V)

ITEM NO.	SIZE (S)MM	HANDLE (B)MM (A)MM	HEX KEY (C)MM	TOTAL LENGTH (L)MM	g/1PC	INNER/CTN (PCS)	N.W. (KGS)	G.W. (KGS)	CUFT.
060-M025-FB	2.5	93 50	100	150	41	12/72	3.0	4.7	1.30
060-M030-FB	3.0	93 50	100	150	44	12/72	3.2	4.9	1.30
060-M040-FB	4.0	108 60	125	185	69	12/72	5.0	7.1	1.76
060-M050-FB	5.0	108 60	125	185	80	12/72	5.8	7.9	1.76
060-M060-FB	6.0	128 70	150	220	130	12/48	6.3	8.4	1.86
060-M080-FB	8.0	128 70	150	220	176	12/48	8.5	10.6	1.86
060-M100-FB	10.0	128 70	150	220	227	12/48	10.9	13.0	1.86

ITEM NO.	SIZE (S)INCH	HANDLE (B)MM (A)MM	HEX KEY (C)MM	TOTAL LENGTH (L)MM	g/1PC	INNER/CTN (PCS)	N.W. (KGS)	G.W. (KGS)	CUFT.
060-0238-FB	3/32"	93 50	100	150	—	12/72	—	—	—
060-0278-FB	7/64"	93 50	100	150	—	12/72	—	—	—
060-0317-FB	1/8"	93 50	100	150	—	12/72	—	—	—
060-0357-FB	9/64"	93 50	100	150	—	12/72	—	—	—
060-0397-FB	5/32"	108 60	125	185	—	12/72	—	—	—
060-0476-FB	3/16"	108 60	125	185	—	12/72	—	—	—
060-0555-FB	7/32"	108 60	125	185	—	12/72	—	—	—
060-0635-FB	1/4"	128 70	150	220	—	12/48	—	—	—
060-0794-FB	5/16"	128 70	150	220	—	12/48	—	—	—
060-0952-FB	3/8"	128 70	150	220	—	12/48	—	—	—



Package:  
Tagged + Label